



42000 SERIES SIZE CODE 2 QPL: M27/356



MIL-PRF-27

ELECTRICAL SPECIFICATIONS

- **Operating Temperature:** -55°C to +130°C
- **Storage Temperature:** -60°C to +135°C
- **Temperature Rise @ 100°C:** ≤ 30°C
- **Inductance at rated DC:** ≥ 80% of initial
- **Dielectric Withstanding Voltage:** 200 V_{RMS}
- **Different electrical values available upon request**

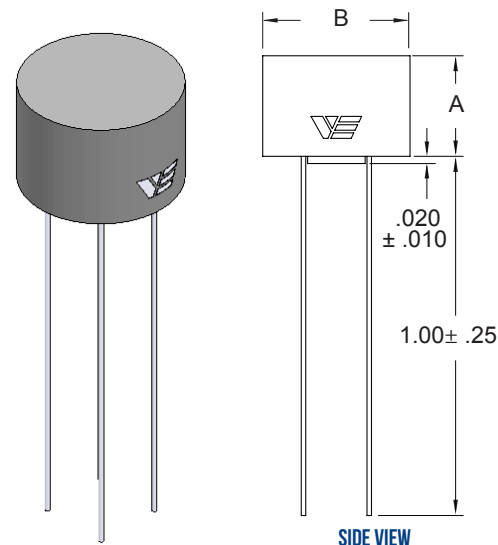
FEATURES

- **Compact**, low profile, ideal for automatic placement
- Built to meet **MIL-PRF-27** specifications
- **Terminations:** Tin-lead
- **Magnetically shielded**
- **Other termination finishes available**
- **Order to Mil-spec part number or VE part number**

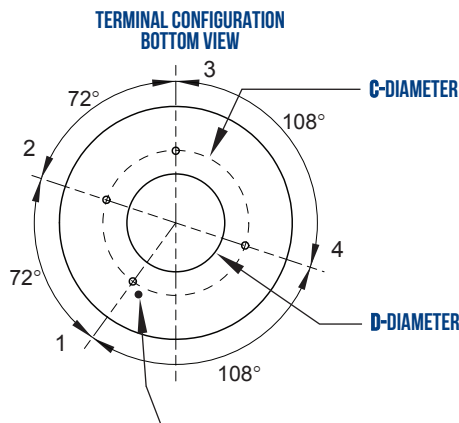
APPLICATIONS

- Filter inductors
- Power supplies
- Ripple suppressors
- DC/DC converters
- Common mode chokes
- SEPIC converters
- Isolation transformers

Inductance Range (mH)	DCR (Ohms)	Current Rating (Amps)
0.01 to 20	0.018 to 29	0.10 to 4.06



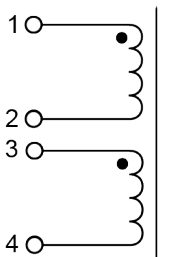
SIZE CODE	A MAX	B MAX	C ± .010	D ± .010	TERMINAL DIAMETER
2 (IN)	.340	.500	.350	.250	.012 ± .002
2 (MM)	8.63	12.7	8.89	6.35	.31



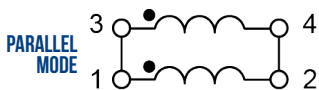
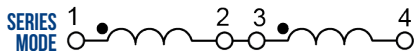
Dot identifies terminal 1. Terminals are clockwise from pin 1.

MARKINGS: LASER ETCH OR INK

SCHEMATIC



TYPICAL USER CONNECTIONS



42000 SERIES

SIZE CODE 2





DATA TABLE

M27/356 Dash No.	Vanguard Part Number	Series Inductance (mH)*	DC Series Current max (Amps)	Series DCR (Ohms ±25%)	Parallel Inductance (mH)	Parallel DC Current max (Amps)	Parallel DCR (Ohms ±25%)
-02	42648	20	0.10	29	5	0.20	7.25
-07	42653	15	0.12	22	3.75	0.24	5.5
-12	42658	10	0.14	14.6	2.5	0.28	3.65
-17	42663	7.5	0.17	11	1.88	0.34	2.75
-22	42668	5.0	0.21	7.3	1.25	0.42	1.825
-27	42673	3	0.27	4.4	0.75	0.54	1.1
-32	42678	2	0.33	2.9	0.5	0.66	0.725
-37	42683	1	0.47	1.5	0.25	0.94	0.375
-42	42688	0.750	0.54	1	0.1875	1.08	0.25
-47	42693	0.500	0.66	0.66	0.125	1.32	0.165
-52	42698	0.250	0.93	0.33	0.0625	1.86	0.0825
-57	42703	0.100	1.35	0.17	0.025	2.7	0.043
-62	42708	0.040	2.03	0.07	0.01	4.06	0.018

Inductance measured at 10 kHz, 0.1 V_{RMS}

* Inductance tolerance +25/-5 %

42000 SERIES
SIZE CODE 2

