



PL 17 SERIES

SELF-LEADED SMT
TOROIDAL INDUCTOR



RoHS VERSION AVAILABLE

COTS +

Inductance Range (uH)	DCR max (Ohms)	Rated Current (Amps)
0.42 to 1203.20	0.005 to 4.929	0.19 to 6.50

ELECTRICAL SPECIFICATIONS

- **Operating Temperature:** -25°C to +125°C
- **Storage Temperature:** -45°C to +130°C
- **Temperature Rise @ 85°C:** 40°C
- **Inductance at rated DC:** ± 20%
- **Different electrical values available upon request**

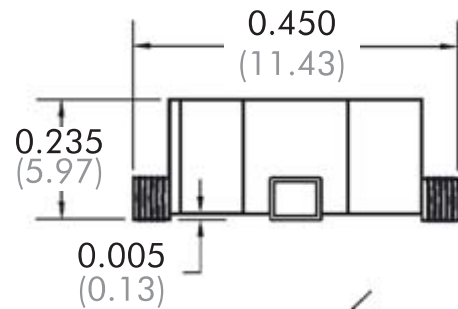
FEATURES

- Ideal for automatic placement
- **Terminations:** Tin-lead
- **Other termination finishes available**

MARKINGS: LASER ETCH OR INK

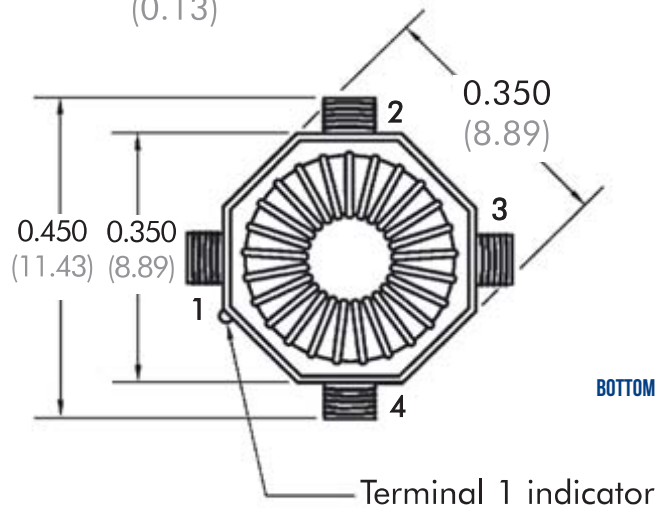
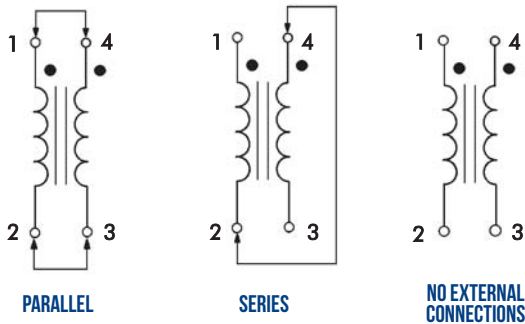


PACKAGE B412



SIDE

TYPICAL USER CONNECTIONS



BOTTOM

Dimensions in Inches. Tolerances ± .010 (unless otherwise stated)

CUSTOM DESIGNS & MODIFICATIONS:

Other electrical configurations and performance characteristics are available in various sizes and package types

PL 17 SERIES





PARALLEL

Vanguard P/N	Inductance @ 0 Amps (uH ± 20%)	Inductance @ Rated DCA min (uH)	Rated Current (Amps) DC	DCR max (Ohms)
PL17-01	0.42	0.29	6.50	0.005
PL17-02	0.75	0.50	5.50	0.006
PL17-03	1.18	0.76	4.60	0.008
PL17-04	2.30	1.27	4.50	0.010
PL17-05	4.70	2.66	3.00	0.021
PL17-06	7.94	4.18	2.60	0.027
PL17-07	10.58	5.18	2.50	0.032
PL17-08	15.23	8.53	1.70	0.059
PL17-09	20.73	12.36	1.30	0.107
PL17-10	24.86	16.09	1.00	0.117
PL17-11	31.77	15.90	1.40	0.106
PL17-12	51.18	28.79	0.92	0.210
PL17-13	67.87	38.71	0.78	0.304
PL17-14	99.45	57.45	0.63	0.458
PL17-15	147.39	93.46	0.43	0.561
PL17-16	198.58	122.94	0.39	0.796
PL17-17	300.80	169.06	0.38	1.233

SERIES

Vanguard P/N	Inductance @ 0 Amps (uH ± 20%)	Inductance @ Rated (Amps) DC	Rated Current (Amps) DC	DCR max (Ohms)
PL17-01	1.69	1.17	3.25	0.019
PL17-02	3.01	1.98	2.75	0.024
PL17-03	4.70	3.04	2.30	0.029
PL17-04	9.21	5.07	2.25	0.038
PL17-05	18.80	10.65	1.50	0.084
PL17-06	31.77	16.72	1.30	0.108
PL17-07	42.30	20.72	1.25	0.125
PL17-08	60.91	34.10	0.85	0.237
PL17-09	82.91	49.46	0.65	0.427
PL17-10	99.45	64.35	0.50	0.466
PL17-11	127.09	63.59	0.70	0.421
PL17-12	204.73	115.16	0.46	0.839
PL17-13	271.47	154.83	0.39	1.214
PL17-14	397.81	229.79	0.32	1.829
PL17-15	589.57	373.84	0.22	2.242
PL17-16	794.30	491.76	0.20	3.184
PL17-17	1203.20	676.24	0.19	4.929

CUSTOM DESIGNS & MODIFICATIONS:

Other electrical configurations and performance characteristics are available in various sizes and package types

PL17 SERIES

