



PL 19 SERIES

SELF-LEADED SMT
TOROIDAL INDUCTOR



RoHS VERSION AVAILABLE

COTS+

Inductance Range (uH)	DCR max (Ohms)	Rated Current (Amps)
0.44 to 1192.46	0.004 to 2.687	0.31 to 7.00

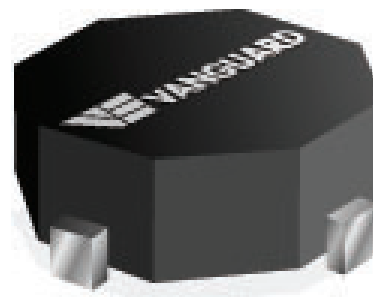
ELECTRICAL SPECIFICATIONS

- **Operating Temperature:** -40°C to +125°C
- **Storage Temperature:** -45°C to +130°C
- **Temperature Rise @ 85°C:** 40°C
- **Inductance at rated DC:** ± 20%
- **Different electrical values available upon request**

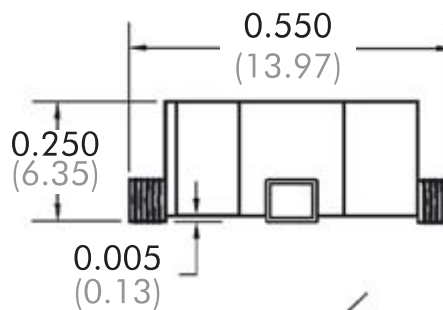
FEATURES

- Ideal for automatic placement
- **Terminations:** Tin-lead
- **Other termination finishes available**

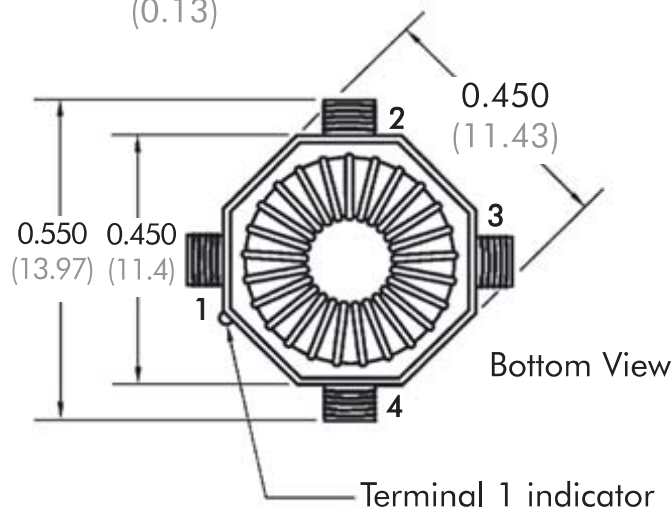
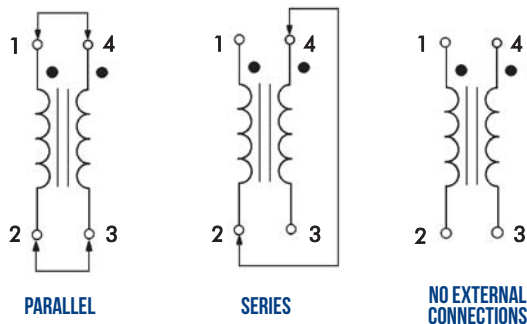
MARKINGS: LASER ETCH OR INK



PACKAGE B414



TYPICAL USER CONNECTIONS



Dimensions in Inches. Tolerances ± .010 (unless otherwise stated)

CUSTOM DESIGNS & MODIFICATIONS:

Other electrical configurations and performance characteristics are available in various sizes and package types

PL 19 SERIES





PARALLEL

Vanguard P/N	Inductance @ 0 Amps (uH ± 20%)	Inductance @ Rated DCA min (uH)	Rated Current (Amps) DC	DCR max (Ohms)
PL19-01	0.44	0.32	7.00	0.004
PL19-02	0.78	0.55	6.00	0.005
PL19-03	1.23	0.85	5.00	0.006
PL19-04	1.76	1.06	3.90	0.007
PL19-05	4.90	2.59	4.40	0.014
PL19-06	8.28	4.29	3.50	0.019
PL19-07	9.60	4.82	3.40	0.020
PL19-08	14.16	6.76	3.00	0.024
PL19-09	19.60	10.68	2.10	0.055
PL19-10	25.92	13.32	2.00	0.064
PL19-11	33.12	16.82	1.80	0.072
PL19-12	50.18	25.03	1.50	0.111
PL19-13	67.08	35.29	1.20	0.158
PL19-14	99.23	54.56	0.92	0.303
PL19-15	148.23	77.17	0.82	0.372
PL19-16	200.70	111.08	0.64	0.545
PL19-17	298.12	147.92	0.62	0.672

SERIES

Vanguard P/N	Inductance @ 0 Amps (uH ± 20%)	Inductance @ Rated (Amps, DC)	Rated Current (Amps) DC	DCR max (Ohms)
PL19-01	1.76	1.29	3.50	0.016
PL19-02	3.14	2.21	3.00	0.020
PL19-03	4.90	3.41	2.50	0.024
PL19-04	7.06	4.24	1.99	0.028
PL19-05	19.60	10.37	2.20	0.056
PL19-06	33.12	17.14	1.75	0.073
PL19-07	38.42	19.28	1.70	0.079
PL19-08	56.64	27.03	1.50	0.096
PL19-09	78.40	42.73	1.05	0.220
PL19-10	103.68	53.27	1.00	0.254
PL19-11	132.50	67.27	0.90	0.288
PL19-12	200.70	100.11	0.75	0.444
PL19-13	268.32	141.15	0.60	0.630
PL19-14	396.90	218.25	0.46	1.210
PL19-15	592.90	308.69	0.41	1.488
PL19-16	802.82	444.32	0.32	2.180
PL19-17	1192.46	591.66	0.31	2.687

CUSTOM DESIGNS & MODIFICATIONS:

Other electrical configurations and performance characteristics are available in various sizes and package types

PL 19 SERIES

