



62100 SERIES PACKAGE A1



MIL-PRF-27

| Inductance Range (uH) | DCR max (Ohms) | Current Rating (mA) |
|-----------------------|----------------|---------------------|
| 15 to 3000 | 0.11 to 24.7 | 59 to 820 |

ELECTRICAL SPECIFICATIONS

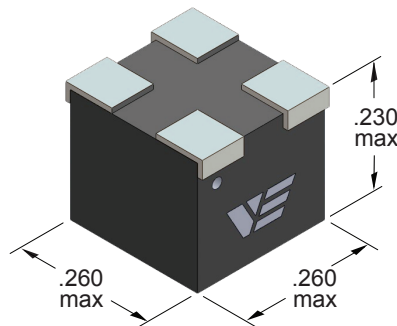
- **Operating Temperature:** -55°C to +125°C
- **Storage Temperature:** -60°C to +135°C
- **Temperature Rise @ 90°C:** < 30°C
- **Inductance at rated DC:** ≥ 70% of initial
- **Dielectric Withstanding Voltage:** 100 V_{RMS}
- **Overload Current:** 1.5 times rated current
- **Different electrical values available upon request**

FEATURES

- **Compact**, low profile, ideal for automatic placement
- Built to meet **MIL-PRF-27** specifications
- **Terminations:** Tin-lead
- **Welded Internal Connections**
- **Moisture, Shock and Immersion Resistant**
- **Self Shielding**
- **Other termination finishes available**

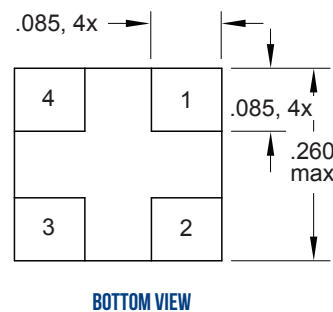
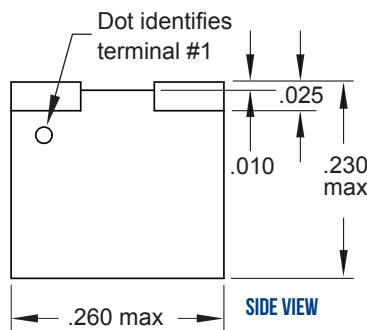
APPLICATIONS

- Filter inductors
- Power supplies
- Ripple suppressors
- DC/DC converters
- SEPIC converters

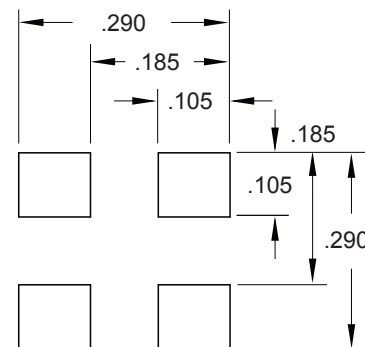


THRU-HOLE &
GULL-WING PACKAGES
ALSO AVAILABLE

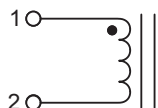
MARKINGS: LASER ETCH OR INK



| IN | MM |
|-------|------|
| 0.290 | 7.37 |
| 0.260 | 6.60 |
| 0.230 | 5.84 |
| 0.185 | 4.70 |
| 0.105 | 2.67 |
| 0.085 | 2.16 |
| 0.025 | 0.64 |
| 0.010 | 0.25 |



SCHEMATIC



62100 SERIES

PACKAGE A1





DATA TABLE

| Vanguard P/N | Inductance (uH ±10%) | DCR max (Ohms) | Rated DC Current (mA) |
|--------------|----------------------|----------------|-----------------------|
| 62101 | 15 | 0.11 | 820 |
| 62102 | 18 | 0.12 | 750 |
| 62103 | 20 | 0.15 | 720 |
| 62104 | 22 | 0.16 | 690 |
| 62105 | 25 | 0.17 | 650 |
| 62106 | 27 | 0.18 | 610 |
| 62107 | 30 | 0.22 | 580 |
| 62108 | 33 | 0.25 | 550 |
| 62109 | 39 | 0.27 | 520 |
| 62110 | 47 | 0.30 | 460 |
| 62111 | 50 | 0.32 | 440 |
| 62112 | 56 | 0.33 | 430 |
| 62113 | 68 | 0.36 | 390 |
| 62114 | 75 | 0.38 | 370 |
| 62115 | 82 | 0.39 | 350 |
| 62116 | 100 | 0.71 | 320 |
| 62117 | 120 | 0.78 | 290 |
| 62118 | 150 | 0.88 | 260 |
| 62119 | 180 | 1.20 | 240 |
| 62120 | 200 | 1.25 | 230 |

Inductance measured at 10 kHz, 0.1 V_{RMS}

| Vanguard P/N | Inductance (uH ±10%) | DCR max (Ohms) | Rated DC Current (mA) |
|--------------|----------------------|----------------|-----------------------|
| 62121 | 220 | 1.30 | 220 |
| 62122 | 250 | 1.60 | 200 |
| 62123 | 270 | 1.80 | 190 |
| 62124 | 300 | 1.90 | 180 |
| 62125 | 330 | 2.0 | 170 |
| 62126 | 350 | 2.50 | 165 |
| 62127 | 390 | 2.8 | 160 |
| 62128 | 470 | 3.0 | 140 |
| 62129 | 500 | 3.1 | 135 |
| 62130 | 560 | 3.3 | 130 |
| 62131 | 680 | 4.7 | 120 |
| 62132 | 750 | 5.1 | 115 |
| 62133 | 820 | 5.2 | 110 |
| 62134 | 1000 | 7.3 | 100 |
| 62135 | 1200 | 8.0 | 93 |
| 62136 | 1500 | 11.0 | 83 |
| 62137 | 1800 | 12.1 | 75 |
| 62138 | 2000 | 15.0 | 70 |
| 62139 | 2200 | 16.8 | 68 |
| 62140 | 2700 | 18.6 | 62 |
| 62141 | 3000 | 24.7 | 59 |

CUSTOM DESIGNS & MODIFICATIONS:

Other electrical configurations and performance characteristics are available in various sizes and package types

62100 SERIES

PACKAGE A1

