



# PL33 SERIES

## HIGH CURRENT



RoHS & XT VERSIONS AVAILABLE

**COTS+**

Inductance Range (uH)	DCR (mOhms)	Current Rating (Amps)
1 to 1000	14 to 7590	.22 to 7.7

### ELECTRICAL SPECIFICATIONS

- **Operating Temperature:** -55°C to +85°C
- **Storage Temperature:** -60°C to +130°C
- **Temperature Rise @ 90°C:** < 30°C
- **Inductance Tolerance:** ±15%
- **Dielectric Withstanding Voltage:** 500 V<sub>rms</sub>
- **Incremental Current:** The typical current at which the inductance will be decreased by 5% from initial zero DC value
- **Different electrical values available upon request**

### FEATURES

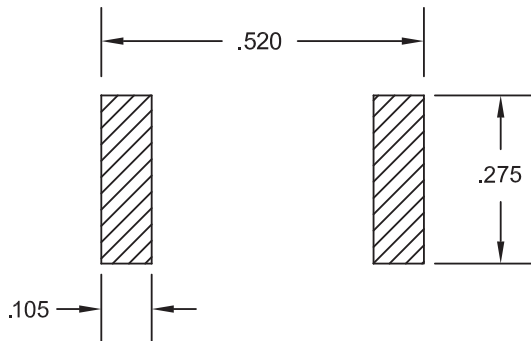
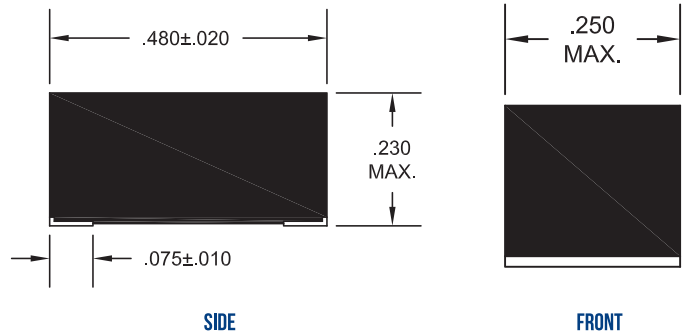
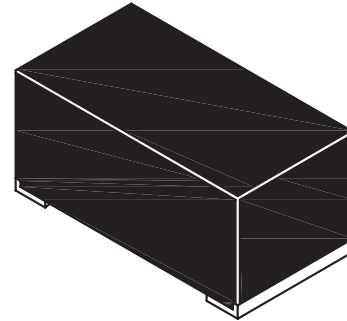
- **Compact**, low profile, ideal for automatic placement
- **Terminations:** Tin-lead
- **Other termination finishes available**
- **Order** to VE part number

### APPLICATIONS

- Filter inductors
- Ripple suppressors
- Power supplies
- DC/DC converters
- SEPIC converters

ALL DIMENSIONS: INCHES

MARKINGS: LASER ETCH OR INK



RECOMMENDED PAD MOUNTING

#### CUSTOM DESIGNS & MODIFICATIONS:

Other electrical configurations and performance characteristics are available in various sizes and package types





Vanguard P/N	Inductance @ 0 Amps DC (uH)	DCR max (Ohms)	Rated Current max (Amps)	Incremental Current (Amps)
PL33-01	1.0	0.014	7.7	4.1
PL33-02	1.2	0.020	6.8	3.8
PL33-03	1.5	0.022	6.2	3.5
PL33-04	1.8	0.023	5.8	3.2
PL33-05	2.2	0.032	5.1	2.9
PL33-06	2.7	0.037	4.6	2.6
PL33-07	3.3	0.042	4.1	2.4
PL33-08	3.9	0.046	3.9	2.2
PL33-09	4.7	0.052	3.6	2.0
PL33-10	5.6	0.056	3.4	1.9
PL33-11	6.8	0.064	3.1	1.7
PL33-12	8.2	0.069	3.0	1.5
PL33-13	10.0	0.078	2.8	1.4
PL33-14	12.0	0.087	2.4	1.3
PL33-15	15.0	0.098	2.0	1.2
PL33-16	18.0	0.131	1.7	1.1
PL33-17	22.0	0.162	1.5	1.02
PL33-18	27.0	0.253	1.4	0.95
PL33-19	33.0	0.244	1.2	0.88
PL33-20	39.0	0.346	1.07	0.80
PL33-21	47.0	0.398	0.96	0.74
PL33-22	56.0	0.437	0.85	0.68
PL33-23	68.0	0.491	0.78	0.62
PL33-24	82.0	0.664	0.72	0.56
PL33-25	100.0	0.739	0.66	0.50
PL33-26	120.0	0.808	0.59	0.45
PL33-27	150.0	1.10	0.52	0.40
PL33-28	180.0	1.51	0.45	0.35
PL33-29	220.0	1.73	0.41	0.32
PL33-30	270.0	1.95	0.37	0.30
PL33-31	330.0	2.76	0.33	0.28
PL33-32	390.0	3.00	0.31	0.26
PL33-33	470.0	3.70	0.29	0.24
PL33-34	560.0	4.12	0.27	0.23
PL33-35	680.0	4.74	0.25	0.20
PL33-36	820.0	6.64	0.23	0.17
PL33-37	1000.0	7.59	0.22	0.15

Inductance measured at 10 kHz, 0.1 V<sub>RMS</sub>

**CUSTOM DESIGNS & MODIFICATIONS:**

Other electrical configurations and performance characteristics are available in various sizes and package types

PL33 SERIES

