



## SPL33 SERIES

### HIGH CURRENT



ALL PARTS AVAILABLE AS CLASS S OR CLASS B

MIL-STD-981

Inductance Range (uH)	DCR (mOhms)	Current Rating (Amps)
1 to 1000	14 to 7590	.22 to 7.7

ALL DIMENSIONS: INCHES

### ELECTRICAL SPECIFICATIONS

- **Operating Temperature:** -55°C to +125°C
- **Storage Temperature:** -60°C to +130°C
- **Temperature Rise @ 90°C:** < 30°C
- **Inductance Tolerance:** > ±15%
- **Dielectric Withstanding Voltage:** 500 V<sub>rms</sub>
- **Incremental Current:** The typical current at which the inductance will be decreased by 5% from its initial value
- **Different electrical values available upon request**

### FEATURES

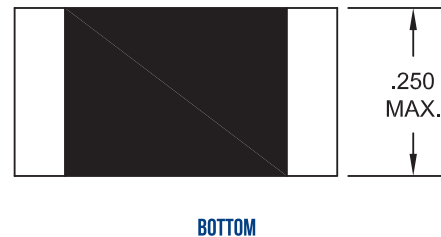
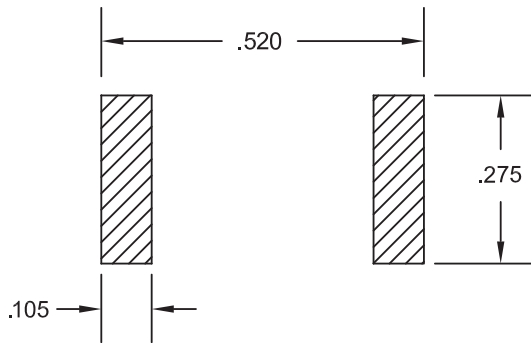
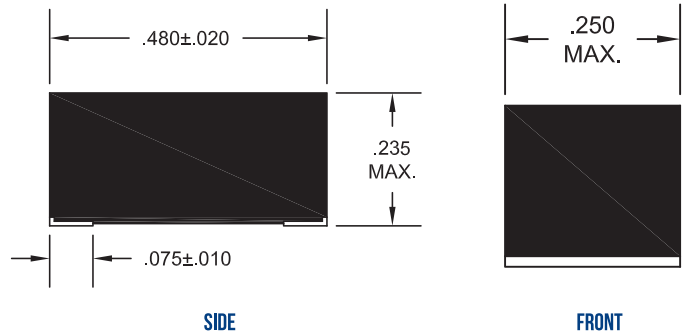
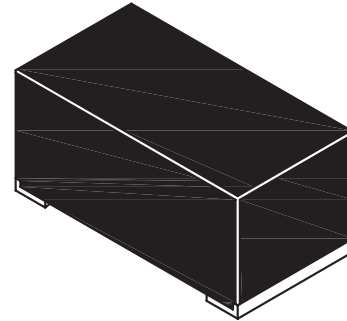
- **Compact**, low profile, ideal for automatic placement
- **Terminations:** Tin-lead
- **Other termination finishes available**
- **Order** to VE part number

### APPLICATIONS

- Filter inductors
- Ripple suppressors
- Power supplies
- DC/DC converters
- SEPIC converters

**MIL-STD-981 Testing:**  
 Add "-S" suffix for Class S Testing  
 Add "-B" suffix for Class B Testing  
 Add "-E" suffix for Engineering Unit

MARKINGS: LASER ETCH OR INK



**CUSTOM DESIGNS & MODIFICATIONS:**  
 Other electrical configurations and performance characteristics are available in various sizes and package types





DATA TABLE

Vanguard P/N	Inductance @ 0 Amps DC (uH)	DCR max (Ohms)	Rated Current max (Amps)	Incremental Current (Amps)
SPL33-01	1.0	0.014	7.7	4.1
SPL33-02	1.2	0.020	6.8	3.8
SPL33-03	1.5	0.022	6.2	3.5
SPL33-04	1.8	0.023	5.8	3.2
SPL33-05	2.2	0.032	5.1	2.9
SPL33-06	2.7	0.037	4.6	2.6
SPL33-07	3.3	0.042	4.1	2.4
SPL33-08	3.9	0.046	3.9	2.2
SPL33-09	4.7	0.052	3.6	2.0
SPL33-10	5.6	0.056	3.4	1.9
SPL33-11	6.8	0.064	3.1	1.7
SPL33-12	8.2	0.069	3.0	1.5
SPL33-13	10.0	0.078	2.8	1.4
SPL33-14	12.0	0.087	2.4	1.3
SPL33-15	15.0	0.098	2.0	1.2
SPL33-16	18.0	0.131	1.7	1.1
SPL33-17	22.0	0.162	1.5	1.02
SPL33-18	27.0	0.253	1.4	0.95
SPL33-19	33.0	0.244	1.2	0.88
SPL33-20	39.0	0.346	1.07	0.80
SPL33-21	47.0	0.398	0.96	0.74
SPL33-22	56.0	0.437	0.85	0.68
SPL33-23	68.0	0.491	0.78	0.62
SPL33-24	82.0	0.664	0.72	0.56
SPL33-25	100.0	0.739	0.66	0.50
SPL33-26	120.0	0.808	0.59	0.45
SPL33-27	150.0	1.10	0.52	0.40
SPL33-28	180.0	1.51	0.45	0.35
SPL33-29	220.0	1.73	0.41	0.32
SPL33-30	270.0	1.95	0.37	0.30
SPL33-31	330.0	2.76	0.33	0.28
SPL33-32	390.0	3.00	0.31	0.26
SPL33-33	470.0	3.70	0.29	0.24
SPL33-34	560.0	4.12	0.27	0.23
SPL33-35	680.0	4.74	0.25	0.20
SPL33-36	820.0	6.64	0.23	0.17
SPL33-37	1000.0	7.59	0.22	0.15

Inductance measured at 10 kHz, 0.1 V<sub>RMS</sub>

**CUSTOM DESIGNS & MODIFICATIONS:**

Other electrical configurations and performance characteristics are available in various sizes and package types

## SPL33 SERIES



