



## CMN 16 SERIES NANOCRYSTALLINE COMMON MODE CHOKE



COTS+

### ELECTRICAL SPECIFICATIONS

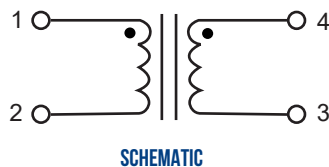
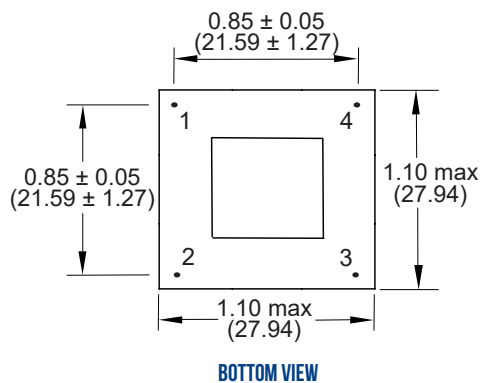
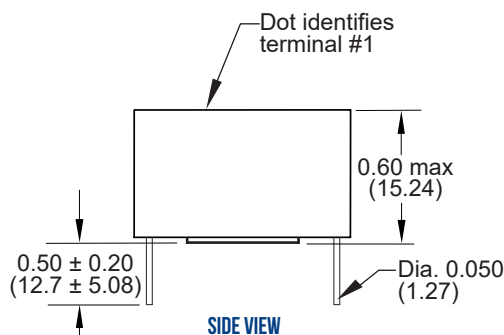
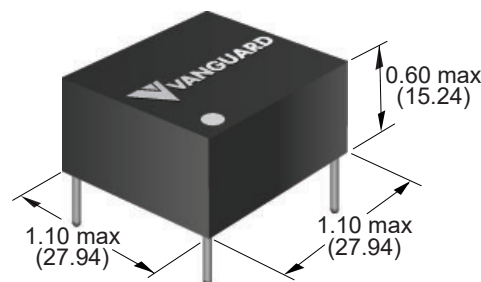
- **Operating Temperature:** -55°C to +125°C
- **Storage Temperature:** -60°C to +130°C
- **Temperature Rise @ 100°C:** < 30°C
- **Dielectric Withstanding Voltage:** 1000 V<sub>RMS</sub>
- **Overload Current:** 1.5 times rated current
- **Different electrical values available upon request**

### FEATURES

- **Terminations:** SnPb, Lead Free (RoHS)
- **Resistance to Soldering Heat:** 265°C for 10 seconds
- **Moisture, Shock and Immersion Resistant**
- **Magnetically Shielded**
- **Ideally designed for GaN applications and higher switching frequencies**
- **Designed with nanocrystalline core for superior thermal stability and higher frequency operations**

Inductance Range (mH)	DCR max (Ohms)	Current Rating (A)
0.39 - 50	0.0024 - 0.105	15.2 - 2.3

DIMENSIONS: INCHES (MM)  
MARKINGS: LASER ETCH OR INK



#### CUSTOM DESIGNS & MODIFICATIONS:

Other electrical configurations and performance characteristics are available in various sizes and package types





## DATA TABLE

Vanguard P/N	Inductance @ 10kHz ± 30% (mH)	DCR Max (Ohms)	Rated Current (A)
CMN16-393TH	0.39	0.0024	15.2
CMN16-693TH	0.69	0.0032	13.2
CMN16-114TH	1.1	0.004	11.8
CMN16-284TH	2.8	0.008	8.3
CMN16-524TH	5.2	0.014	6.4
CMN16-724TH	7.2	0.020	5.2
CMN16-105TH	10	0.030	4.3
CMN16-175TH	17	0.050	3.4
CMN16-255TH	25	0.060	3.1
CMN16-395TH	39	0.090	2.4
CMN16-505TH	50	0.105	2.3

1/ Inductance measured at 10 kHz, 0.10 V<sub>RMS</sub>

2/ DCR measured at room ambient temperature (25°C)

### VE PART NUMBER STRUCTURE KEY

#### INDUCTANCE (uH) (mH)

393 = 390 uH  
284 = 2.8 mH  
505 = 50 mH

### EXAMPLE: CMN16-393THS-1-B

#### TERMINATION

S	SnPb
R	Pure Tin

#### RELIABILITY

1	COTS/EM
7	Other

#### PACKAGING (Default Bulk)

B	Bulk
---	------

### CUSTOM DESIGNS & MODIFICATIONS:

Other electrical configurations and performance characteristics are available in various sizes and package types

CMN16 SERIES

