



CMN30 SERIES NANOCRYSTALLINE COMMON MODE CHOKE



COTS+

ELECTRICAL SPECIFICATIONS

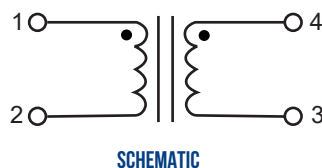
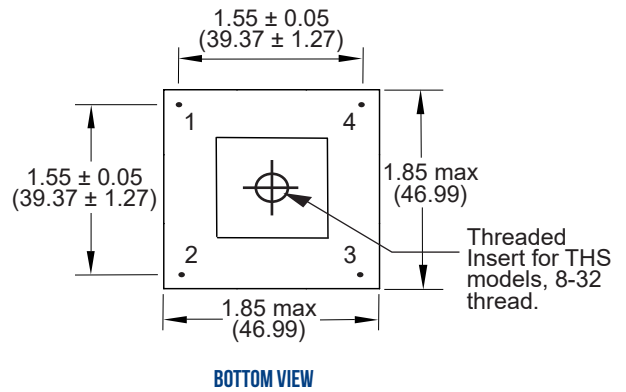
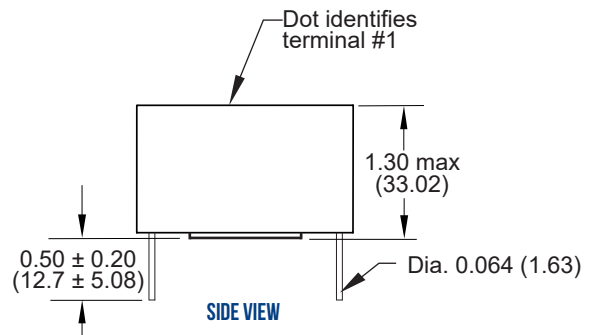
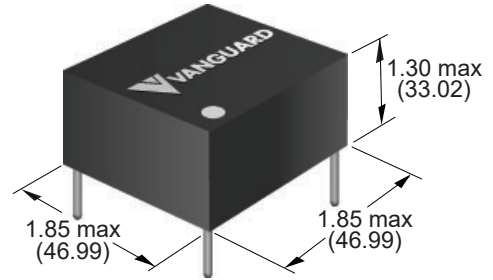
- **Operating Temperature:** -55°C to +125°C
- **Storage Temperature:** -60°C to +130°C
- **Temperature Rise @ 100°C:** < 30°C
- **Dielectric Withstanding Voltage:** 1000 V_{RMS}
- **Overload Current:** 1.5 times rated current
- **Different electrical values available upon request**

FEATURES

- **Terminations:** SnPb, Lead Free (RoHS)
- **Insert:** Threaded insert can be added to component.
- **Resistance to Soldering Heat:** 265°C for 10 seconds
- **Moisture, Shock and Immersion Resistant**
- **Magnetically Shielded**
- **Ideally designed for GaN applications and higher switching frequencies**
- **Designed with nanocrystalline core for superior thermal stability and higher frequency operations**

Inductance Range (mH)	DCR max (Ohms)	Current Rating (A)
0.9 - 200	0.0022 - 0.510	22.5 - 1.5

DIMENSIONS: INCHES (MM)
MARKINGS: LASER ETCH OR INK



CUSTOM DESIGNS & MODIFICATIONS:

Other electrical configurations and performance characteristics are available in various sizes and package types





DATA TABLE

Vanguard P/N	Inductance @ 10kHz ± 30% (mH)	DCR Max (Ohms)	Rated Current (A)
CMN30-903TH	0.9	0.0022	22.5
CMN30-274TH	2.7	0.004	16.9
CMN30-554TH	5.5	0.006	14.2
CMN30-804TH	8.0	0.008	11.6
CMN30-125TH	12.5	0.011	9.9
CMN30-255TH	25.0	0.028	6.2
CMN30-505TH	50.0	0.064	4.2
CMN30-755TH	75.0	0.100	3.3
CMN30-106TH	100	0.145	2.8
CMN30-156TH	150	0.280	2.0
CMN30-206TH	200	0.510	1.5

^{1/} Inductance measured at 10 kHz, 0.10 V_{RMS}

^{2/} DCR measured at room ambient temperature (25°C)

VE PART NUMBER STRUCTURE KEY

INDUCTANCE (uH) (mH)

903 = 900 uH
274 = 2.7 mH
206 = 200 mH

EXAMPLE: CMN30-903THS-1-B

TERMINATION

S	SnPb
R	Pure Tin

RELIABILITY

1	COTS/EM
7	Other

PACKAGING (Default Bulk)

B	Bulk
---	------

CUSTOM DESIGNS & MODIFICATIONS:

Other electrical configurations and performance characteristics are available in various sizes and package types

