



SCMN30 SERIES NANOCRYSTALLINE COMMON MODE CHOKE



ALL PARTS AVAILABLE AS CLASS S OR CLASS B

MIL-STD-981

Inductance Range (mH)	DCR max (Ohms)	Current Rating (A)
0.9 - 200	0.0022 - 0.510	22.5 - 1.5

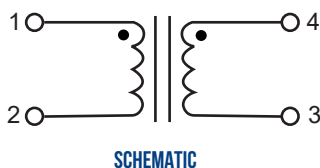
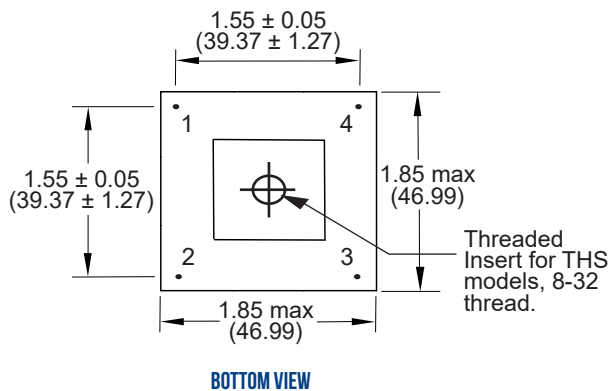
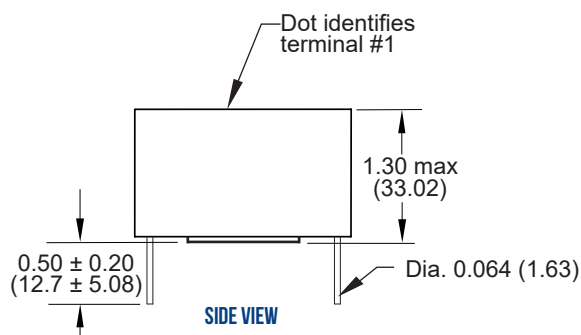
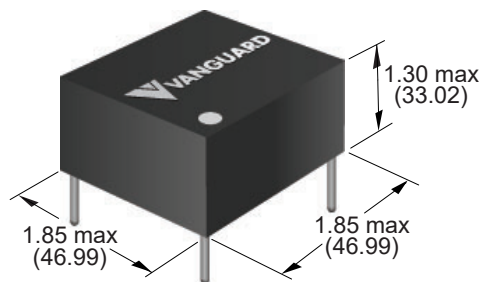
DIMENSIONS: INCHES (MM)
MARKINGS: LASER ETCH OR INK

ELECTRICAL SPECIFICATIONS

- **Operating Temperature:** -55°C to +125°C
- **Storage Temperature:** -60°C to +130°C
- **Temperature Rise @ 100°C:** < 30°C
- **Dielectric Withstanding Voltage:** 1000 V_{RMS}
- **Overload Current:** 1.5 times rated current
- **Different electrical values available upon request**

FEATURES

- **Terminations:** Tin-Lead
- **Resistance to Soldering Heat:** 265°C for 10 seconds
- **Moisture, Shock and Immersion Resistant**
- **Magnetically Shielded**
- **Ideally designed for GaN applications and higher switching frequencies**
- **Designed with nanocrystalline core for superior thermal stability and higher frequency operations**
- **NASA outgassing compliant per ASTM E595** (TML <1%, CVCM <0.1%)



SCHEMATIC

SCMN30 SERIES



CUSTOM DESIGNS & MODIFICATIONS:
Other electrical configurations and performance characteristics are available in various sizes and package types





DATA TABLE

Vanguard P/N	Inductance @ 10kHz ± 30% (mH)	DCR Max (Ohms)	Rated Current (A)
SCMN30-903TH	0.9	0.0022	22.5
SCMN30-274TH	2.7	0.004	16.9
SCMN30-554TH	5.5	0.006	14.2
SCMN30-804TH	8.0	0.008	11.6
SCMN30-125TH	12.5	0.011	9.9
SCMN30-255TH	25.0	0.028	6.2
SCMN30-505TH	50.0	0.064	4.2
SCMN30-755TH	75.0	0.100	3.3
SCMN30-106TH	100	0.145	2.8
SCMN30-156TH	150	0.280	2.0
SCMN30-206TH	200	0.510	1.5

1/ Inductance measured at 10 kHz, 0.10 V_{RMS}

2/ DCR measured at room ambient temperature (25°C)

VE PART NUMBER STRUCTURE KEY

INDUCTANCE (uH) (mH)

903 = 900 uH
274 = 2.7 mH
206 = 200 mH

EXAMPLE: SCMN30-903THS-3-B

TERMINATION

S	SnPb
----------	------

RELIABILITY

2	Group A MIL-STD-981
3	Group A+B MIL-STD-981
7	Other

PACKAGING (Default Bulk)

B	Bulk
----------	------

CUSTOM DESIGNS & MODIFICATIONS:

Other electrical configurations and performance characteristics are available in various sizes and package types

SCMN30 SERIES

