



CSN 100 SERIES

NANOCRYSTALLINE COMMON MODE CHOKE



MIL-PRF-27

ELECTRICAL SPECIFICATIONS

- **Operating Temperature:** -55°C to +125°C
- **Storage Temperature:** -60°C to +130°C
- **Temperature Rise @ 90°C:** < 40°C
- **Dielectric Withstanding Voltage:** 500 Vac
- **Insulation Resistance:** 10K mOhms minimum
- **Frequency of Operation:** Up to 10 MHz
- **Different electrical values available upon request**

FEATURES

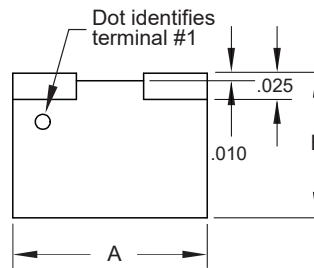
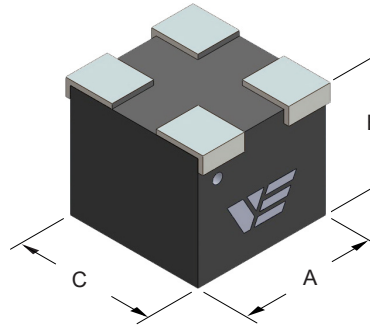
- **Compact**, low profile, ideal for automatic placement
- Built to meet **MIL-PRF-27** specifications
- **Low Thermal Expansion, Transfer Molded Package**
- **Terminations:** Tin-lead
- Other termination finishes available upon request
- Welded Internal Connections
- **Moisture, Shock and Immersion Resistant**
- **Resistance to Soldering Heat:** 265°C for 10 secs
- **Nanocrystalline Core Offers High Current Accuracy**

Current Rating (A)	DCR (mOhms)	Inductance Range (mH)
5.6 to 19.6	0.36 to 5.00	6.67 to 2040

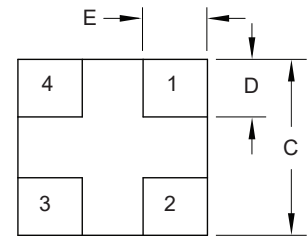
ALL DIMENSIONS: INCHES

THRU-HOLE &
GULL-WING PACKAGES ALSO
AVAILABLE

MARKINGS: LASER ETCH OR INK

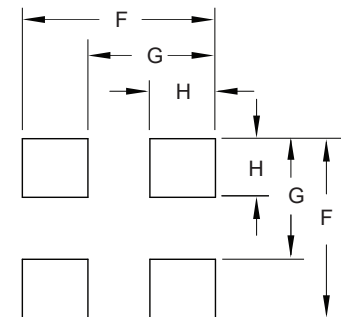


SIDE VIEW



BOTTOM VIEW

Package	A max	B max	C max	D	E	F	G	H
CSN100	.260	.260	.200	.085	.085	.290	.185	.105
CSN101	.260	.260	.230	.085	.085	.290	.185	.105
CSN102	.410	.410	.230	.135	.135	.440	.285	.155
CSN103	.410	.410	.310	.135	.135	.440	.300	.140
CSN104	.535	.535	.310	.200	.200	.565	.345	.220
CSN105	.700	.700	.400	.250	.250	.740	.460	.280



RECOMMENDED MOUNTING PAD CIRCUIT SIDE

CUSTOM DESIGNS & MODIFICATIONS:

Other electrical configurations and performance characteristics are available in various sizes and package types





DATA TABLE

Vanguard P/N	Inductance ref. (mH)	DCR Secondary max. (Ohms)	Ipk max. (A)	ET ref. (V-us)	Turns Ratio
CSN100-20	6.7	0.36	5.6	40	1:20
CSN100-50	42	0.90	8.0	100	1:50
CSN100-100	167	1.80	10.0	200	1:100
CSN101-50	40	1.00	9.1	93.75	1:50
CSN101-100	160	1.90	10.2	187.5	1:100
CSN101-200	640	3.90	11.4	375	1:200
CSN102-50	35	1.10	10.1	125	1:50
CSN102-100	141	2.20	11.4	250	1:100
CSN102-200	563	4.40	12.0	500	1:200
CSN103-50	46	1.20	11.8	150	1:50
CSN103-100	185	2.50	13.2	300	1:100
CSN103-200	740	5.00	13.8	600	1:200
CSN104-50	55	0.60	13.1	135	1:50
CSN104-100	218	1.10	14.7	270	1:100
CSN104-200	872	2.20	15.8	540	1:200
CSN105-50	128	0.60	17.2	250	1:50
CSN105-100	510	1.10	18.7	500	1:100
CSN105-200	2040	2.30	19.6	1000	1:200

Inductance measured at 10 kHz, 0.1 V_{RMS}
Temperature rise < 40°C at Rating Current

CUSTOM DESIGNS & MODIFICATIONS:

Other electrical configurations and performance characteristics are available in various sizes and package types

CSN 100 SERIES

